

# TECHNICAL DATA SHEET

## ACEMST1.1

|                                |  |
|--------------------------------|--|
| Voltage                        | 100-240 Vac - 50/60 Hz                                     |
| Power consumption              | 10 VA  |
| Maximum light intensity        | 18,000 LUX @ 100 cm<br>60,000 LUX @ 50 cm                  |
| Light adjustment               | 20% - 100%   |
| Light field diameter (d10)     | 26 cm  |
| Colour temperature, CCT        | 4,300 K  |
| Colour rendering index (Ra/R9) | 98/90  |
| LED average life               | 60,000 HOURS ABOUT   |
| Light head diameter            | 18 cm  |
| Light head and arm weight      | 2 Kg   |
| Product class (EN 60601-2-41)  | I (ceiling configuration)<br>II (all other configurations) |

## ACEMST1.3

|                                |  |
|--------------------------------|--|
| Voltage                        | 100-240 Vac - 50/60 Hz                                     |
| Power consumption              | 12 VA  |
| Maximum light intensity        | 30,000 LUX @ 100 cm<br>100,000 LUX @ 50 cm                 |
| Light adjustment               | 20% - 100%   |
| Light field diameter (d10)     | 26 cm  |
| Colour temperature, CCT        | FROM 3,000 K TO 5,500 K                                    |
| Colour rendering index (Ra/R9) | 98/90  |
| LED average life               | 60,000 HOURS ABOUT   |
| Light head diameter            | 18 cm  |
| Light head and arm weight      | 2 Kg   |
| Product class (EN 60601-2-41)  | I (ceiling configuration)<br>II (all other configurations) |

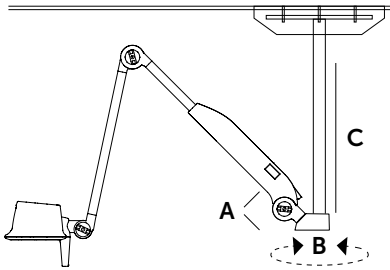
E & O L E

Available colours for both versions:

White RAL 9010
  Green RAL 6019
  Light blue RAL 5024
  Rose RAL 4003
  Light grey RAL 7035
  Dark grey RAL 7016

Data according to Standard EN 60601-2-41:2009. Note: all photometric values are subject to 5% tolerance.

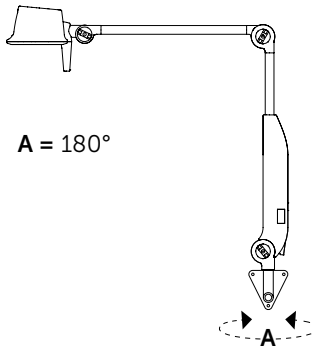
## ACEMST1 IS AVAILABLE IN THE FOLLOWING CONFIGURATIONS



A = 90° (±45°) B = 360°  
C = FROM 250 mm TO 1,100 mm

### CEILING MOUNTED\*

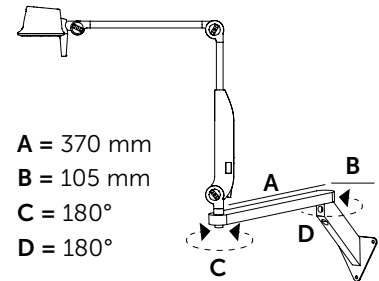
Weight of support 3.0 - 6.0 kg



A = 180°

### WALL MOUNTED

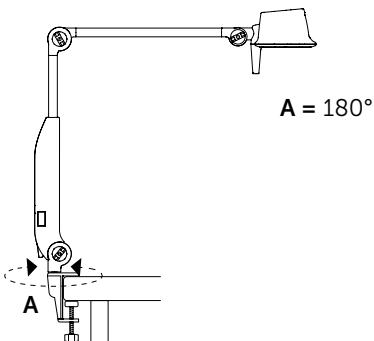
Weight of support 0.4 kg



A = 370 mm  
B = 105 mm  
C = 180°  
D = 180°

### WALL EXTENSION ARM

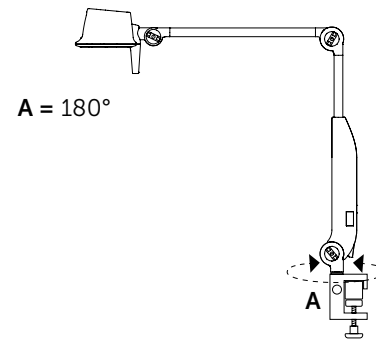
Weight of support 1.6 kg



A = 180°

### TABLE MOUNTED

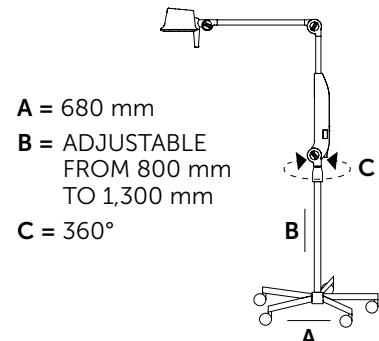
Weight of support 0.25 kg



A = 180°

### RAIL MOUNTED

Weight of support 0.25 kg



A = 680 mm  
B = ADJUSTABLE  
FROM 800 mm  
TO 1,300 mm  
C = 360°

### TROLLEY MOUNTED

Weight of support 5 kg

\* Only for articulated arm version. All other configurations are available for articulated or flexible arm.